

Document Detail

Type: 0060-GR DT
Document No.: 0060-GR0060231CO[4]
Title: Resurge Ultrasonic Cleaner 2.0 Gal IFU
Comment Rev 3 being expired because it has wrong doc type.
Status: CURRENT
Effective Date: 20-Feb-2018

Approvals

<u>Role</u>	<u>Sign-off By</u>	<u>Sign-off Date</u>	
DPD Document Control	Lucy Brenneman	16-Feb-2018 12:46 pm	GMT
DPD Marketing Management	Dave Kierce	19-Feb-2018 9:39 pm	GMT
DPD Quality Assurance/Regulatory Management	Heather Shellenberger	20-Feb-2018 12:23 pm	GMT
DPD Document Control	Lucy Brenneman	20-Feb-2018 4:00 pm	GMT

Artwork Specification

Rev. 4

Part Number:	0060231CO
Title	Directions for Use Manual (DFU), – Resurge Ultrasonic Cleaner 2.0 gallon
Description	Loose pages
Material:	70# Offset
Trim Size:	5 /12 x 8-1/2 inches folded
Binding:	Folded and stapled
Colors:	4 color
Finished Size:	5 ½ x 8-1/2 inches
Languages:	English
Graphics Revision	Rev. 4 (12/17)

Notes:

1. Package to prevent damage.
2. Artwork is maintained by DENTSPLY Professional, York PA 17404

Revision History:

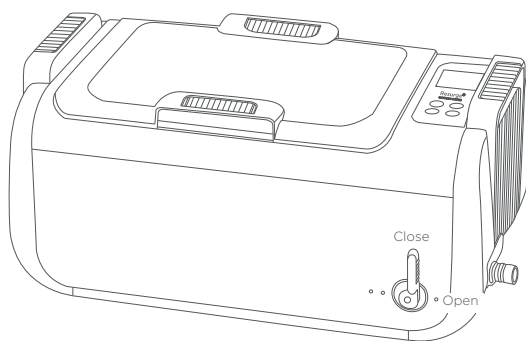
Rev	Description of Change	Author	Dept	Change No.
1	Release of English only version of DFU	R. Gross	Marketing	CHO-74631
2	Correct website address and add manufactured by info	R. Gross	Marketing	CHO-084008
3	Update Quick Start Guide and product illustrations	R. Gross	Marketing	CHO-086505
4	Update image of low profile tray image at bottom of Page 10	R. Gross	Marketing	CHO-097049

Resurge[®]

Ultrasonic Cleaner

Directions for Use

Model #
0060200



Features

Large tank capacity	Tank capacity 7.5 L / 2.0 gallon; Tank size 33.1x23.8x10.5 cm / 13.0inx9.4inx4.1in
Memory feature	Recalls last timer setting
Control panel with capacitive sensing technology	Durable, reliable, resistant to water and harsh chemicals
Drainage valve	Convenient to use
Three industrial grade ultrasonic transducers	Uniform distribution of ultrasonic waves, strong cleaning, high durability
Three ceramic heaters	Mounted underneath the bottom of the tank for safe and even heating; durable construction
3-color LED display	Easy to operate, with 4 key control panel, 6 timer settings, single temperature setting
Independent control circuit for each ultrasonic transducer	40% higher efficiency, not susceptible to interference, more durable
Multiple circuit protectors	When overloaded or improperly used, the protectors shut down the power to certain areas to protect the machine
Moisture-proofed Printed Circuit Board with industrial IC	PCBs are placed vertically for better moisture-proof performance. Better anti-interference
Three cooling fans	Two for cooling of PCB boards, one for cooling of ultrasonic transducers. Improve heat dissipation and beneficial for continuous operations
Multiple optional accessories	Stainless steel rack and basket, dual beaker holder set, indirect cleaning tank (removable cleaning chamber)
Stackable low profile tray option	Flexibility to load instruments
Solid and advanced structural design	4.5 mm thick wall housing made from engineering grade plastic with tongue in groove design for better water-proof and drop-proof performances. 60% quieter than steel housing designs, suitable for indoor uses

Introduction

Use warm tap water. Special ultrasonic cleaning solutions such as Resurge Instrument Cleaner may be used.

Important: If you switch from another ultrasonic cleaner to Resurge Instrument Cleaning Solution, it is important that you clean the tank thoroughly. It is also recommended that you flush the drain with clean water as well to make sure no residue remains from using the previous cleaner.

Principles of ultrasonic cleaning

Millions of tiny invisible air bubbles are generated within liquid by high frequency vibration. The air bubbles burst when in contact with object and dislodge the debris to achieve the cleaning effect.



- Using warm tap water of drinkable quality is sufficient. Purified water or distilled water has the same cleaning effect as regular tap water for ultrasonic cleaning.

Main Features

- Tank opening 33.1x23.8x10.5 cm or 13.0inx9.4inx4.1in. Longest item that can fit inside the tank is 37.0 cm / 14.6in. / 2.0 gallon tank capacity.
- Multiple options for accessories, suitable for various applications.
- 3 industrial grade ultrasonic transducers: 3x(55-60)W=(165-180)W, 3 ceramic heaters: 3x(75-80)W=(225-240)W.
- 3-color LED display, 4-key controls, 6 timer settings, simple temperature setting, simple and straightforward to operate.
- Control panel with capacitive sensing technology, durable, reliable, resistant to water and harsh chemicals
- Electrical circuit features:
 - (1) Three transducers, each has an independent PCB control. The output power is increased by 40% compared to less expensive control method that uses one PCB to control multiple transducers.
 - (2) Multiple circuit protectors:
 - a. Thermal switch to prevent running dry. If temperature is too high, the switch cuts off power until the temperature drops back to room temperature.
 - b. Thermal protector to prevent PCB from overheating due to overload.
 - c. Timer to prevent heater from running continuously.
- Industrial grade integrated circuit. Moisture-proofed PCB. Cooling fan.
- Drainage valve.

Read the Manual First

The manual should be carefully reviewed before starting to use the device. Warnings should be observed carefully. Please follow the manual for operations.

Table of Contents

1. Safety Precautions.....	1-2
2. Product Structure and Accessories.....	3
3. Control Panel and Operations.....	4
4. Operation Guidelines.....	5-7
5. Common Cleaning Methods.....	8-9
6. Care and Maintenance.....	10
7. Optional Accessories.....	10
8. Warranty.....	13

Safety Precautions



Keep away from children!

- This appliance shall not be used by children. Keep the appliance and its cord out of reach of children.
- Please store the ultrasonic cleaner where it is not reachable by children.
- Danger to children! Danger for death through suffocation! Keep the packaging material away from children.



To prevent life-threatening electrical shock, please observe the following:

- Danger of electrical shock! Never immerse the device or the power cord in water or other liquid.
- Danger of electrical shock! Never touch the power plug with wet hands, especially when inserting or removing the plug.
- Danger of electrical shock! If the unit has fallen into water during operation, do not touch the unit. Remove the power plug from the socket first.
- Never operate the unit unattended.
- Danger of electrical shock! Do not spray water or liquid over the device.
- Follow the manual to operate the device.
- Do not use components unapproved by the manufacturer.
- When removing the power cord from the socket, grab the power plug not the cord.
- To protect the power cord from damage, do not cause it to get caught by things such as a cupboard door or a chair leg; do not drag across a hot surface.
- If there is damage to the power plug, cord, housing, or other parts of the device, do not use the device. Contact your dental dealer for a replacement.
- Do not disassemble the device, except by a repair professional.
- If the unit is damaged, non-operational or has fallen into water, contact a qualified service provider.
- Remove the power plug from the socket:
 - if malfunction occurs
 - before cleaning the device
 - if the device is not going to be used for prolonged period
 - after each use (recommended)
- The installation of an earth leakage circuit breaker with a rated tripping current of no more than 30 mA provides further protection against an electrical shock. The installation should only be carried out by a trained electrician.

Safety Precautions (cont.)



To prevent fire hazards, please observe the following:

- Never block the vents on the device. Keep the vents free from lint, hair and other materials. Do not place the device on a soft surface where the vents could be blocked. Observe the other warnings on the previous page.
- If the supply cord is damaged, it must be replaced by your dental dealer or its service agent or a similarly qualified person in order to avoid a hazard.

Other observations:

- Do not operate the product without filling the tank with water. Running dry will damage the unit.
- Make sure the water level stays below the MAX line after loading the instruments.
- Do not plug in the power cord before adding water to the tank. Do not fill the tank above the Max line with cassettes or trays in place to avoid overflow.
- Do not use solution containing abrasive substances or strong corrosive chemical solution not recommended by the manufacturer or the supplier. Use a recommended cleaning additive such as Resurge® Instrument Cleaner.
- Place the device on a dry and flat surface for operation.
- When the device is subjected to severe electromagnetic interference, it may malfunction, stop operating or lose control functions. If this happens, unplug the power cord then reinsert it to restart the device.

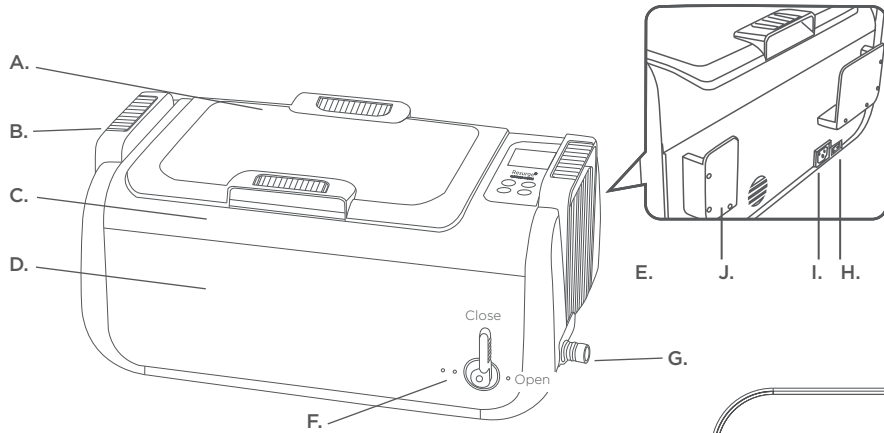
Important Safety Instructions



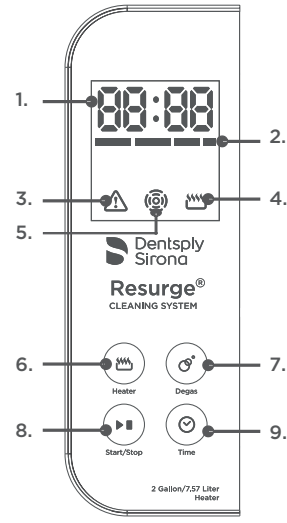
When using electric appliances, basic precautions should always be followed, including the following:

- Read all the instructions before using the appliance.
- Only use attachments recommended or sold by the manufacturer.
- Do not use outdoors.
- To disconnect, turn the power switch on the back of the unit to the off (O) position, then remove plug from outlet. Do not unplug by pulling on cord. To unplug, grasp the plug, not the cord. Unplug from outlet when not in use and before servicing or cleaning.
- To reduce the risk of electrical shock, do not put the appliance in water or other liquid. Do not place or store appliance where it can fall or be pulled into a tub or sink.
- All servicing of this product, including transducer replacement, is to be conducted by qualified service personnel.
- Do not operate any appliance with a damaged cord or plug, or after the appliance malfunctions or is dropped or damaged in any manner.
- Return appliance to the nearest authorized service facility for examination, repair, or electrical or mechanical adjustment.

Product Structure and Accessories

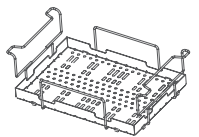


- A. Top Cover
- B. Handles
- C. Stainless Steel Tank
- D. Housing
- E. Control Panel
- F. Drainage Valve Handle
- G. Drainage Spout
- H. Power Switch
- I. Power Socket
- J. Cover Holder

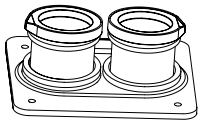


See following page

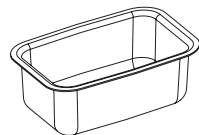
Optional Accessories:



Stainless Steel Rack and Tray



Double beaker holding set

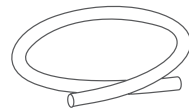


Indirect cleaning tank
(removable cleaning chamber)

Standard Accessories:



Power
Cord



Hose

Control Panel and Operations

Indicator Lights

10:00 Working Time Display: It counts down after work is started.

Multistage Thermometer: Solid green light indicates that the water temperature is 0-30% of the set temperature. Solid orange light indicates that the water temperature is 30-60% of the set temperature. Solid red light indicates that the water temperature is 60-90% of the set temperature. Flashing red light indicates that the water temperature is close to the set temperature. All lights indicate that the water temperature is at the set temperature (90-100%).

Overheat protection warning light: If the unit is working improperly or has been running for too long, the red warning light will illuminate, indicating the unit is under overheat protection. The unit can not be operated until idling for 15 to 20 minutes. The warning light then turns off and the operation can be resumed. You do not need to turn unit off.

Heater Status: When illuminated, indicates heater is on.

Normal Cleaning Status: When illuminated as solid light, it indicates that normal cleaning is underway. When illuminated as flashing light, it indicates that degas is underway.

Functional Buttons

Heater Button: Touching Heater key twice, flashes, indicating the heater is turned on. To cancel heating, touch Heater key twice again, dims, indicating the heater is turned off.

To prevent accidentally turning on or off the heater, the Heater key needs to be touched twice within 6 seconds to turn it on or off. Heater Status light flashes, indicating the heater is on. When the water reaches the set temperature, the heater will turn off automatically.

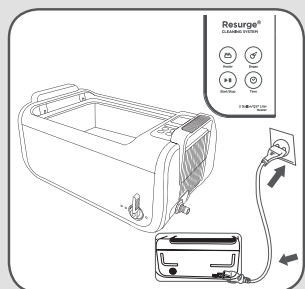
IMPORTANT: Do not turn on the heater without water in the tank, as this will damage the unit.

Degas: Degassing is recommended each time you add fresh solution to maximize cleaning efficiency. Touch the key twice to activate Degas. Make sure lid is off before activating. Cycle will run for 3 minutes. The time display will count down to 00:00 at which point the degas process is complete.

Start/Stop Button: After powering on, the LED displays the last timer setting. The unit is ready under normal cleaning mode. Press Start/Stop key twice and the cleaning starts. The cleaning stops when the timer counts down to 00:00. If the unit needs to be stopped before the timer runs out, touch Start/Stop key twice.

To prevent accidentally turning on or off the unit, the Start/Stop key needs to be touched twice within 6 seconds to turn it on or off.

Timer Quick Set Button. Touch Time button, LED display shows the last timer setting. Each touch increases the time by 5 minutes. The system has a memory setting and will retain the timer setting for next use.



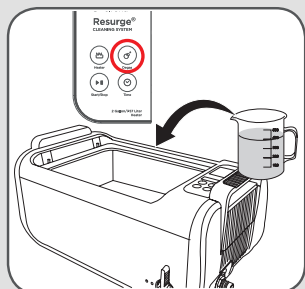
1 Unit Set-Up

- a. The Resurge Ultrasonic Cleaner comes with the following components:
 - i. Resurge Ultrasonic Unit
 - ii. Lid with see through panel
 - iii. Universal rack and deep basket - found inside unit
 - iv. 110v power cord - found inside unit
- b. Unpack the unit, universal rack and basket, power cord and drainage hose. Drainage hose found inside unit.
- c. Connect the power cord to the back of the units and to an outlet.
- d. Connect the drainage hose to the drainage spout ensuring the drain handle is in the upright (closed) position.
- e. Turn the power switch, found on the back of the unit, to the on position. The LED displays the last timer setting. After the first use, timer will remain set unless changed.
- f. Select desired time setting by touching the Time button.
- g. Do not operate unit until you have followed the Degas instructions below.

Please consult your instrument cleaner Instructions as well as your instrument Directions for Use for proper automated cleaning.

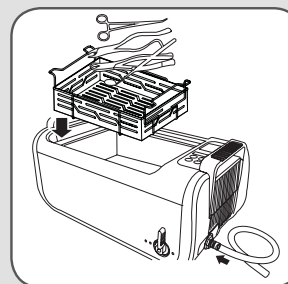
Prolonged cleaning time may result in:

- a. Loosening of the screws if used.
- b. If items are plated and have existing cracks, the cracks may become more pronounced.
- c. Coating with preexisting damages may experience more peeling.



2 Degas Procedure

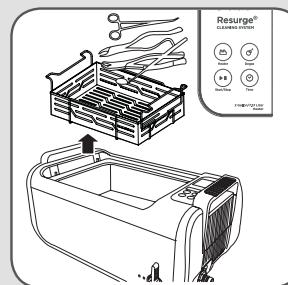
- a. Remove the cover and put it in the cover holder on the back of the unit. Add warm water to at least the MIN fill line.
- b. Add an ultrasonic cleaning solution per the instructions for use. We recommend Resurge Instrument Cleaning Solution.
- c. Touch the degas button and allow it to operate for 3 minutes. We have to remove the gases from the solution to maximize the cavitation energy. If you do not degas, the cavitation energy can be blocked by the gases making the cavitation energy less effective.



3 Adding Instruments

- a. Put items in cassettes or stainless steel basket or trays provided.
- b. Lay the cassettes or trays in the metal rack
- c. Lower the rack into the cleaning tank.
- d. Confirm that the water level is between MIN and MAX and above the area to be cleaned.
- e. If not, add warm water to the tank.

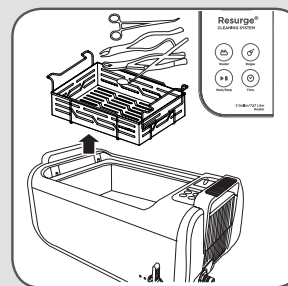
The unit can become damaged if there is no water in the tank.



4 Cleaning

- a. Make sure the lid is closed. Touch the Time button to set the timer to desired time.
- b. Touch the Start/Stop button twice to activate the cleaning cycle.
- c. When cleaning cycle is completed, open the lid. Hold the lid over the tank to drain off any condensation that has built up on the underside of the lid.
- d. Carefully store the lid in the holder on the back of the unit, being careful not to get any moisture on the control panel.
- e. If drops of water get on the panel, immediately dry the panel using a clean cloth or paper towel.

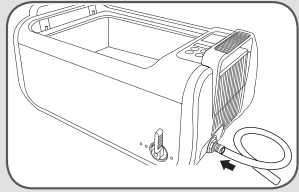
IMPORTANT: When moving rack to sink or counter for drying, avoid water from dripping onto the control panel. If water gets on panel gently remove the water with a paper towel or cloth.



5 Retrieving the instruments

- a. Lift the universal rack and hold above the tank for a few second to allow excess water to drain into the tank.
- b. Remove the rack and basket and rinse the instruments under running tap water for a few seconds to remove residual cleaner.
- c. When moving rack to sink or counter for drying, avoid water from falling onto the control panel. If water gets on panel gently remove the water with a paper towel or cloth
- d. Once rinsed, allow the instruments to thoroughly dry prior to sterilization.

Operation Guidelines - Quick Start, cont.



6 Draining Tank

At the end of the day, the tank should be drained and fresh water and cleaning agent added.

- Turn off unit.
- Ensure the drainage hose is connected as shown.
- Turn the drainage valve handle clockwise to open the drain and remove the dirty water.
- Clean and wipe the tank dry.
- Close the drainage valve.

Notes on Operations

This unit is equipped with advanced power off memory capability. It memorizes the last timer setting once the cleaning cycle is started.

- 5 seconds after the timer counts down to 00:00, the last timer setting will reappear. Press the Start/Stop key twice, it will repeat the last cycle with the same timer setting.
- Once the timer counts down to 00:00, touch the Start/Stop key within 5 seconds will recall the last timer setting. Touch it again will repeat the last cycle with the same timer setting.
- If power is turned off during the cleaning cycle, once it is powered on again, the last timer setting will reappear.
- If the timer setting is changed during the cleaning cycle and the timer counts down to 00:00, the new timer setting will reappear as in A, B or C.
- If the timer setting is changed but the cleaning cycle is not started, it will stay until the cleaning cycle is started. It will not stay if the power is turned off.
- If the Start/Stop key is touched twice during the cleaning cycle, the cycle will stop and the timer setting will stop running. It'll resume the original cycle once the Start/Stop key is touched twice again.
- If the power is turned off while degas is running, once it is powered on again, the remaining degas time will resume.

NOTE: To prevent accidental lockups of the touch-sensing control panel, please observe the following:

- Do not touch two or more keys at the same time.
- Do not leave water or solution on the control panel.
- Do not push the control panel with too much force. Only light touch is needed.

If the control panel is locked, do the following to reset it. If the first step does not work, move on to the next step.

- Turn off the power switch.
- Turn off the power switch multiple times.
- Unplug the power cord and wait for 5-10 minutes.
- Leave the unit unplugged for several hours.

Common Cleaning Methods

Regular Cleaning

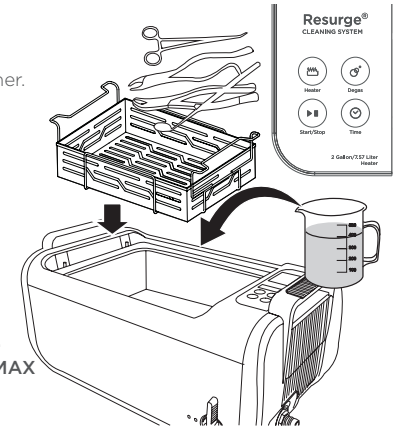
Only tap water is needed. You may add an instrument cleaner. We recommend Resurge Instrument Cleaner. Follow the manufacturer's instructions for use.

Suitable Locations:

Dental, medical offices and labs.

Cleaning Method:

- Put the items to be cleaned inside the basket or cassette and place into the rack. **Do not stack loose instruments as this can reduce the effectiveness of the ultrasonic cleaner. Cassettes may be stacked but ensure they are below the MAX water line.**
- Lower the rack inside the tank.
- Add warm water to the cleaning tank to a level between "MIN" and "MAX" lines and above the area to be cleaned.
- If not already on, turn on the power switch, found on the back of the unit. Press Time button to set the timer to 5-15 minutes. Consult your cleaner and/or instrument Directions for Use, for proper time. Press Start/Stop button twice to start cleaning.



Notes on using the basket:

- A tray or cassette can reduce the friction between the items and the tank. Stainless steel basket absorbs approximately 8% of ultrasonic energy, plastic basket absorbs about 35% of ultrasonic energy. This significantly reduces the cleaning effectiveness.
- During cleaning, dirt will come off like a cloud and the water will become murky over time. This is debris being removed from the instruments and indicates the instruments are being cleaned.

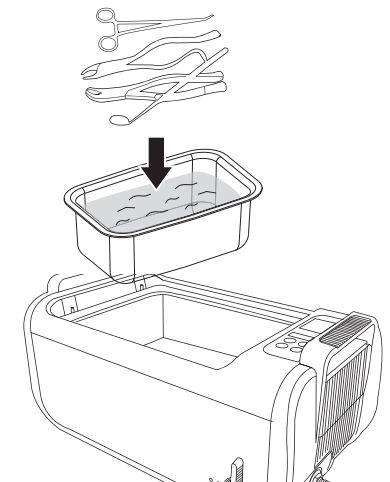
Indirect Cleaning

Put the items in a separate container such as a glass beaker or metal tub both offered as available accessories. See page 3 for more information. Use ultrasonic waves to penetrate the container to do the cleaning.

Suitable Locations:

Medical and dental instrument sterilization rooms. Different applications use different fluids to be used inside the container.

- Small instruments. Keep them separate from the main instrument cleaning.
- Multiple patients' dentures or impressions. Disinfect the container after each patient.
- Instruments using corrosive solutions, such as a cement remover.



Common Cleaning Methods (cont.)

Cleaning Method:

1. Put the items to be indirectly cleaned in the recommended container. Add the appropriate cleaning solution for the application (such as tarter and stain remover). Consult the Instructions for Use for the item being cleaned if you have any questions.
2. Place the container in the tank directly. Add warm water to a level between MIN and MAX at least half and inch or 13 mm above the bottom of the container but, not over the container.
3. Turn the power switch on. Touch Time key to set the timer to 10 minutes. Consult your cleaner Directions for Use, for proper time. Press Start/Stop key twice to start cleaning. Ultrasonic waves will penetrate the container and clean the items.


Selection of container

1. Stainless steel containers - Absorbs about 8% of ultrasonic energy.
 2. Plastic containers - Plastics are soft and will absorb about 30-40% of ultrasound energy and reduce the cleaning effect.
 3. Aluminum containers - Absorbs about 20% of ultrasonic energy.
 4. Glass beakers - Absorbs about 15% of ultrasonic energy.
-

Care and Maintenance

1 Do not turn on the unit without water in the tank.

Even though the unit is designed with multiple protections, if it is turned on for over 15 seconds without water in the tank, it may damage the unit or heater or severely reduce the life of the unit.

 A thermal switch is attached to the bottom of the cleaning tank. If the unit is turned on accidentally without water in the tank, the ultrasonic energy will not be transferred out through the liquid and instead will be concentrated on the tank, the temperature of the tank will continue to rise. If the heater is turned on at the same time, the temperature of the tank will rise rapidly. This will trigger the thermal switch to cut off power to stop the ultrasonic transducer and the heater from running, hence to prevent damages to the unit and fire hazard. The switch cuts off power until the temperature in the area is dropped back to room temperature then reconnect the power automatically.

2 Do not run the unit for extended time or continuously.

The unit is designed with overheat protection. If the unit has been running continuously for 45 minutes, it is recommended to stop the unit for about 20 minutes to prolong the life of the unit.

3 Do not keep water in the cleaning tank at end of day.

Drain the tank at the end of each day or if the liquid appears cloudy or dirty. Add fresh water and cleaning solution in the morning or during the day if draining. Fresh water and instrument cleaning solution.

4 Do not spray water over the housing.

Use a towel to wipe the tank and the housing dry.

5 Do not expose the unit under direct sunshine for a long time.

Keep the unit in a dry, cool and ventilated area.

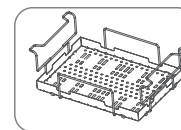
6 To clean the outside of the unit, use a non-abrasive cleaner and soft cloth.

7 Do not add cold water when unit is hot.

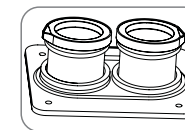
Optional Accessories

Stainless Steel Rack and Tray

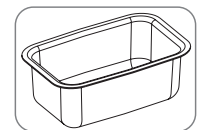
Rack and tray



Double beaker holding set



Indirect tank
(removable cleaning chamber)



The rack can be used to support 3 layers of cassettes on top of each other. The basket or tray can be used in place of the cassette. The tray is stackable so multiple layers of trays can be used.

PAGE
INTENTIONALLY
BLANK

PAGE
INTENTIONALLY
BLANK

Specifications

Description	Resurge Ultrasonic Cleaner
Model	2 Gallon - 0060200
Tank Capacity	7.5 L/ 2.0 gallon (US) Max. 6.0 L/ 1.6 gallon (US) Min. 4.3 L / 1.1 gallon (US)
Tank Size	33.1x23.8x10.5 cm 13.0inx9.4inx4.1in
Longest Item Fit Inside Tank	37.0 cm 14.4in
Power Supply	380W (AC 100-120v 60Hz) 410W (AC 220-240V 50/60Hz) 310W (AC 100V 50/60Hz)
Digital Timer Settings	→ 10min > 15min > 20min > 25min > 30min > 5min ↩
Drainage	Drainage valve
Ultrasonic Frequency	35,000 Hz
Tank Material	Stainless Steel SUS304
Housing Material	ABS
Net Weight	9.5 kg/ 21.1 lb
Gross Weight	10.9 kg/ 24.2 lb
Unit Size	51.5x35.0x24.3 cm / 20.3"x13.8"x9.6"
Inner Carton Size	59.0x38.0x33.5 cm/ 23.2"x15.0"x13.2"
Qty per Master Carton	1 pcs/ctn
Master Carton Size	61.5x41.0x37.0 cm/ 24.2"x16.1"x14.6"

Warranty

Dentsply Sirona's Infection Control products are designed expressly for dental use, and this warranty is not applicable to other uses. The products are warranted against defects arising from faulty materials or workmanship from date of purchase for a period of 2 years. Parts will be repaired or replaced at the discretion of Dentsply Sirona.

This warranty extends to Resurge Ultrasonic Cleaner products purchased from an authorized Dentsply distributor, and only to the original purchaser. The Warranty is subject to the following conditions:

- The online product registration must be completed online within four (4) weeks of date of purchase.
Go to www.dentsplysirona.com/resurgeultrasonic.
- Any servicing of the Resurge Ultrasonic Cleaner must be performed by Dentsply Sirona's service personnel. Contact tech support at 1-800-637-8586.
- Any warranty repair must be performed by Dentsply Sirona's service personnel.
- Customer is responsible for shipping both ways outside of the continental USA, one way within. Contact us first, then send the unit with a copy of the original invoice or receipt back to:

Dentsply Sirona
1301 Smile Way, York, PA 17404 USA
800-637-8582

THERE ARE NO WARRANTIES, EXPRESS OR IMPLIED, WHICH EXTEND BEYOND THE DESCRIPTION ON THE FACE HEREOF. DENTSPLY neither assumes, nor authorizes any person to assume for it, any other liability in connection with the sale or use of its products. DAMAGES ARE LIMITED STRICTLY TO REPAIR OR REPLACEMENT OF PARTS. DENTSPLY EXPRESSLY DISCLAIMS LIABILITY FOR INCIDENTAL AND CONSEQUENTIAL DAMAGES RESULTING FROM THE USE OF THE PRODUCTS.

Claims covered by this warranty will be honored when presented through your DENTSPLY Sirona distributor within thirty (30) days from discovery of defect within the applicable warranty period.



Manufactured for:
Dentsply Sirona
1301 Smile Way
York, PA 17404 USA